

# DC Series Tubeaxial Cooling Fans Model No. D36T10

3.62" Sq. x 1.00"  
(92 mm Sq. x 25 mm)  
34-55 CFM  
(16.0-25.9 L/Sec.)



### Features

- 7-blade impeller design provides:
  - Reduced noise
  - Improved performance
  - High efficiency
- Solid-state brushless motor design provides:
  - Auto restart
  - Low input power
  - Lower operating voltages
- Precision ball bearing system provides:
  - Longer life
  - Higher temperature extremes
  - Lower noise over time
  - Maximum shock and vibration resistance
- Designed to meet the rigid standards of UL, CSA, VDE, and CE.

### Accessories:

Finger guards

### General Specifications

**Frame:** Reinforced polybutylene plastic (UL94V-0 flame retardant)

**Impeller:** Reinforced polybutylene plastic (UL94V-0 rating)

**Bearings:** Precision, life-lubricated ball bearings

**Insulation:** Class A integral ground system rated @ 248°F (120°C)

**Weight:** 3.5 ozs. (100 grams)

**Operating Temperature Range:** 14° to 158°F (-10° to 70°C)

**Insulation Resistance:** 10 megohms minimum @ 250 VDC

**Dielectric Strength:** 500 VAC for 60 seconds

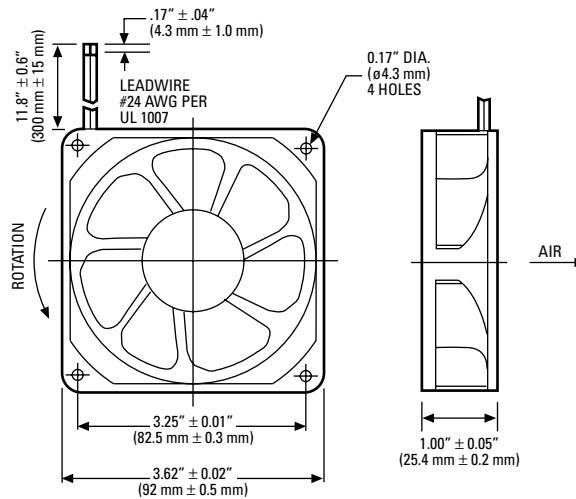
**Safety Protection:** Electronic locked rotor protected; polarity protected

**Life Expectancy:** 75,000 hours minimum @ 77°F (25°C)

**Options:** (Consult Factory)

Tachometer output

Locked rotor output sensor

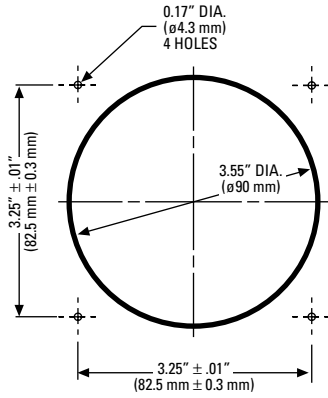


RED LEAD IS POSITIVE (+)  
BLACK LEAD IS NEGATIVE (-)  
WHITE LEAD IS TACHOMETER/SENSOR

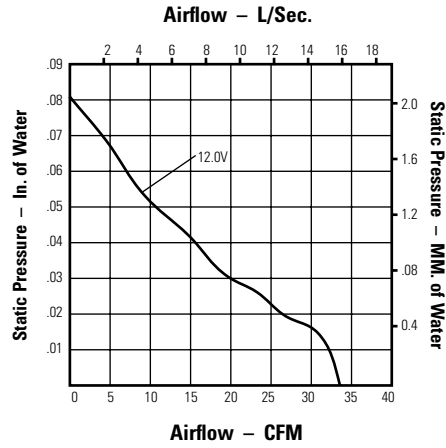
Globe Motors Part Number	Nominal Voltage VAC	Voltage Operating Range VDC	Watts	Line Amps	RPM	Acoustic Noise dBA	Airflow (Min.)	
							CFM	Liters per Second
D36-B10A-04W2-100	12	6.0 / 13.8	1.32	0.110	2100	30	34	16.0
D36-B10A-04W3-100	12	6.0 / 13.8	2.64	0.220	2850	38	48	22.6
D36-B10A-04W5-100	12	6.0 / 13.8	3.78	0.315	3200	41	55	25.9
D36-B10A-05W2-100	24	10.0 / 27.6	1.44	0.060	2100	30	34	16.0
D36-B10A-05W3-100	24	10.0 / 27.6	2.88	0.120	2850	38	48	22.6
D36-B10A-05W5-100	24	10.0 / 25.0	3.84	0.160	3200	41	55	25.9

\*Note: For tachometer output models, substitute "B" in part number. Part Number D36-B10<sup>A</sup>-04W2-100 would change to D36-B10<sup>B</sup>-04W2-100. Minimum order quantity may apply.  
For locked rotor sensor output models, substitute "C" in part number. Part Number D36-B10<sup>A</sup>-04W2-100 would change to D36-B10<sup>C</sup>-04W2-100. Minimum order quantity may apply.

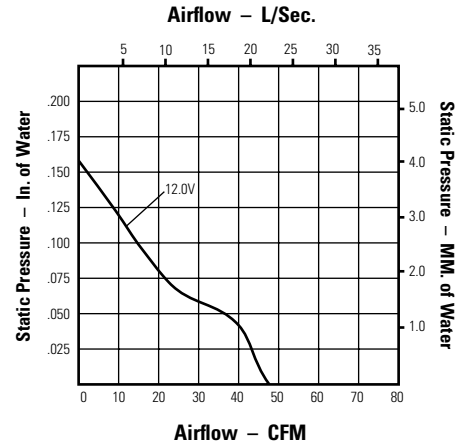
## Installation Guide



## Performance at Sea Level



**D36-B10A-04W2-100**



**D36-B10A-04W3-100**

## Approvals



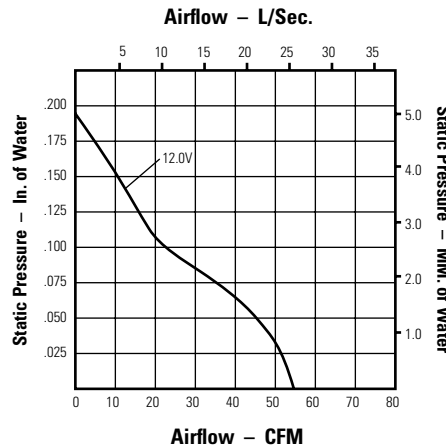
UL File No.  
E105397



CSA File No.  
72877



VDE File No.  
17074-2611-0701

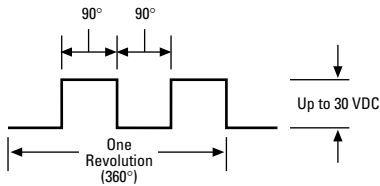


**D36-B10A-04W5-100**

All operating specifications measured at nominal operating voltage, free air at sea level

24 volt performance is identical to 12 volt fan performance

## Tachometer Output (Open Collector Circuit)



## NOTES:

## Locked Rotor Output (Open Collector Circuit)

